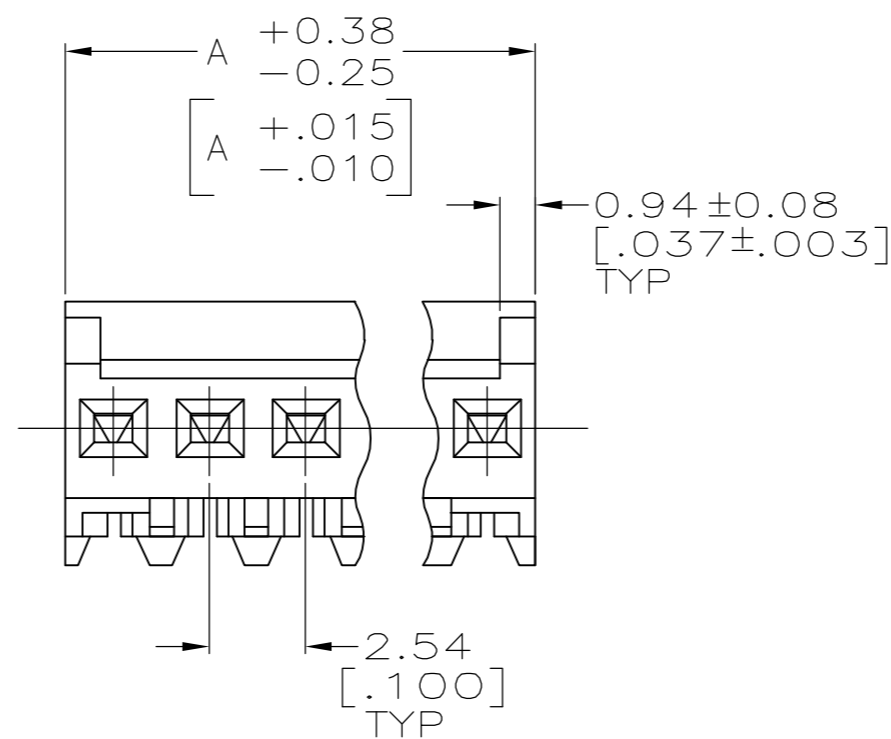
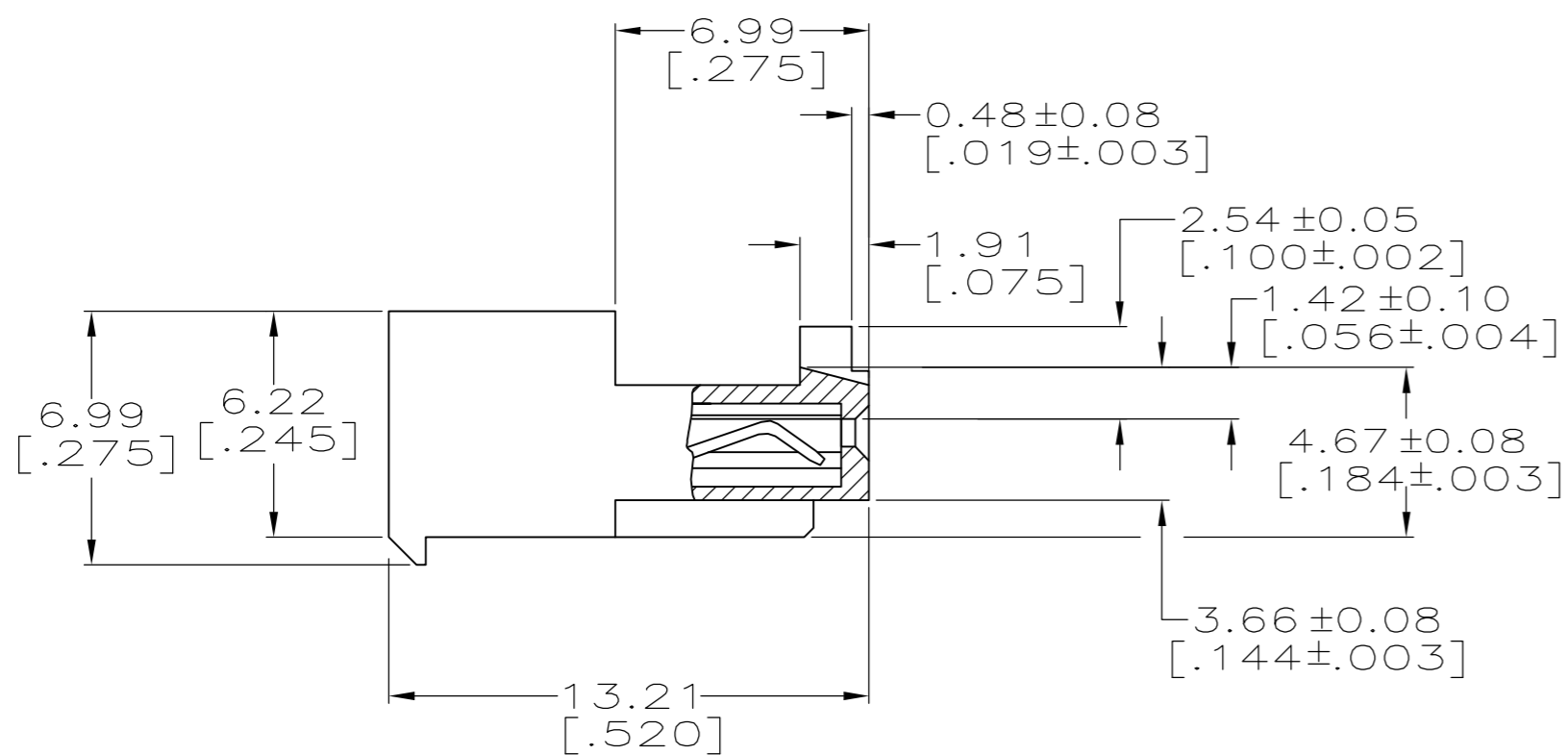
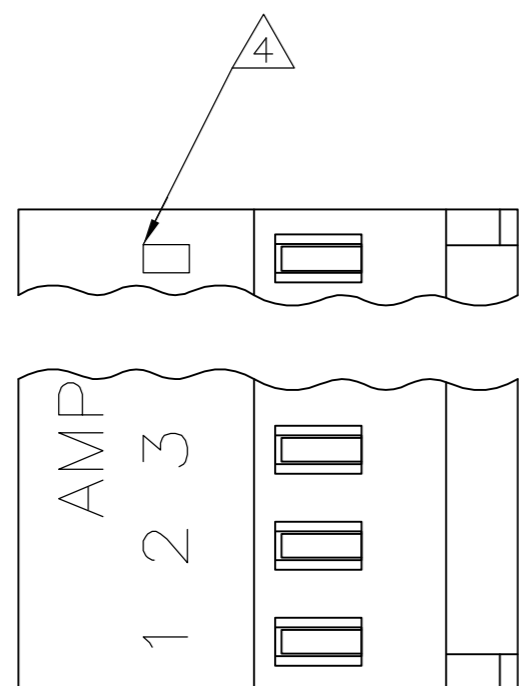


THIS DRAWING IS UNPUBLISHED. RELEASED FOR PUBLICATION
 © COPYRIGHT BY TYCO ELECTRONICS CORPORATION. ALL RIGHTS RESERVED.

LOC	DIST	REVISIONS					
CM	00	P	LTR	DESCRIPTION	DATE	DWN	APVD
		B		REVISED PER ECO-07-003757	01MAR07	KW	DB



- 1 MATERIAL: CONNECTOR - NYLON UL94V-0 (BLACK).
CONTACTS - 0.30[.012] THICK COPPER ALLOY
0.00076[.000030] GOLD IN CONTACT
AREA WITH BRIGHT TIN-LEAD FOR 644677-2
THRU 2-644677-8, MATTE WHISKER MITIGATED
TIN FOR 3-644677-2 THRU 5-644677-8
OVER NICKEL UNDERPLATE.
- 2. CONTACTS ACCEPT 22 AWG WIRE WITH 1.52[.060] MAX
INSULATION DIAMETER.
- 3. CONTACTS MUST ACCEPT 0.64±0.03[.025±.001] SQUARE
POST AND REMAIN LOCKED IN POSITION.
- 4 IDENTIFICATION NUMBER FOR LAST CIRCUIT MAY
NOT APPEAR ON ALL ASSEMBLIES.
- 5. DIMENSIONS IN BRACKETS ARE IN INCHES.
- 6. HOUSING FEATURES ARE: CLOSED END WITH
LOCKING RAMP AND WITH POLARIZING TAB.
- 7 PART PLATING CONTAINS LEAD.

DIM A	NO OF CKTS	PART NO
17.78 [.700]	7	3-644677-7
15.24 [.600]	6	3-644677-6
17.78 [.700]	7	644677-7
15.24 [.600]	6	644677-6

METRIC

THIS DRAWING IS A CONTROLLED DOCUMENT.

DIMENSIONS: mm [INCHES]	TOLERANCES UNLESS OTHERWISE SPECIFIED:	DWN K. WHITAKER 24JUNE2005	Tyco Electronics Corporation Harrisburg, Pa 17105-3608
	0 PLC ± -	CHK D. BOSSI 24JUNE2005	
	1 PLC ± -	APVD D. BOSSI 24JUNE2005	
	2 PLC ± -	PRODUCT SPEC	
	3 PLC ± 0.13 [.005]	APPLICATION SPEC	NAME MTA-100 CONNECTOR ASSEMBLY, 22 AWG,UL94V-0, SPECIAL
	4 PLC ± -	WEIGHT	SIZE A2
MATERIAL	FINISH	WEIGHT	CAGE CODE 00779
		CUSTOMER DRAWING	DRAWING NO C=644677
		SCALE 5:1	RESTRICTED TO
		SHEET 1 OF 1	REV B